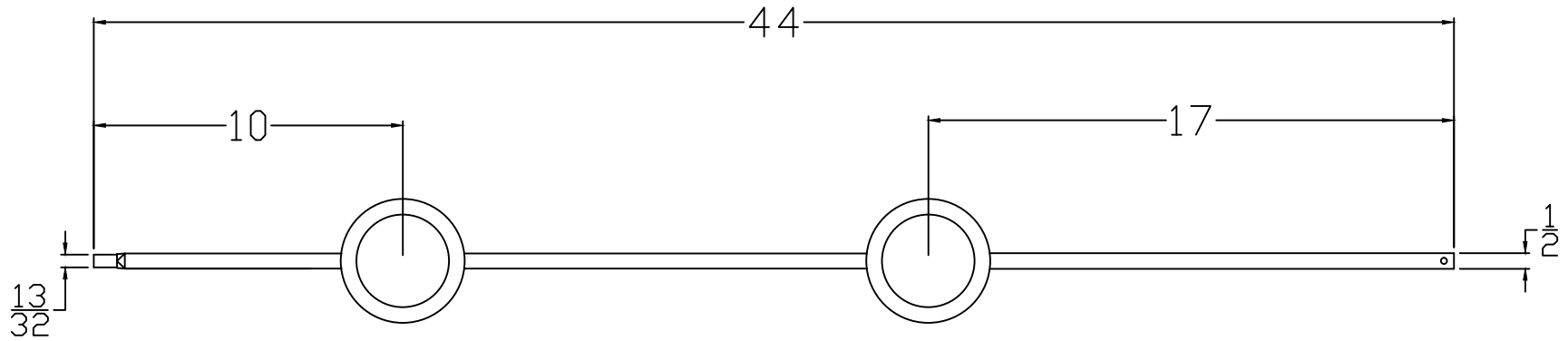


FIH5566-44



| | | | | |
|---------------------|--|------------------|----------|------|
| TITLE: IRON SERIES | | | Revision | Date |
| Part #: FIH5566-44 | | | | |
| 7-10-19 | | Drawn By: S.WOOD | | |
| Type: IRON BALUSTER | | Length: 44 | | |
| Scale: Inch | | | | |