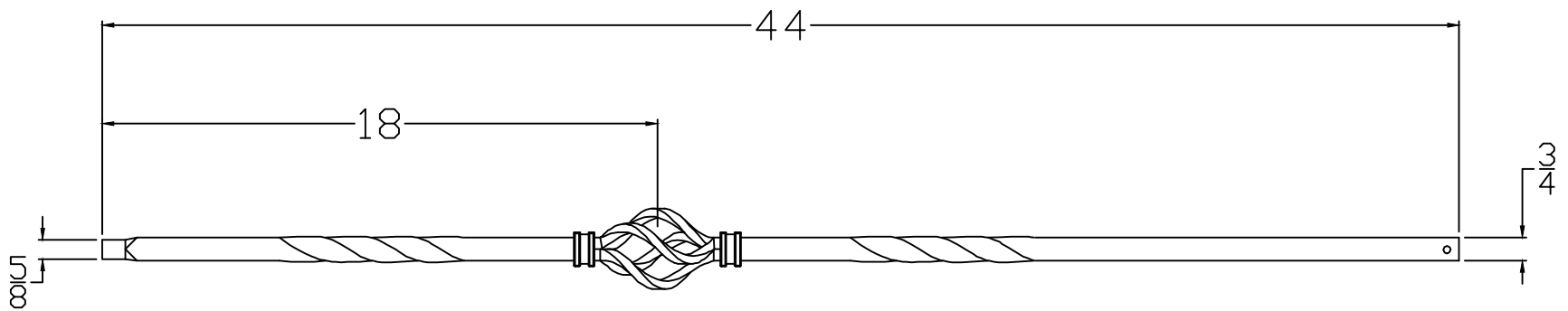


FIH5515-LG-44



TITLE: IRON SERIES		Revision	Date
Part #: FIH5515-LG-44			
7-10-19	Drawn By: S.WOOD		
Type: IRON BALUSTER	Length: 44		Scale: Inch

Technical drawing grid with dimensions 8, 7, 6, 5, 4, 3, 2, 1 and letters H, G, F, E, D, C, B, A. Includes a title block and a technical drawing of a baluster with dimensions 44, 18, and 3/4.