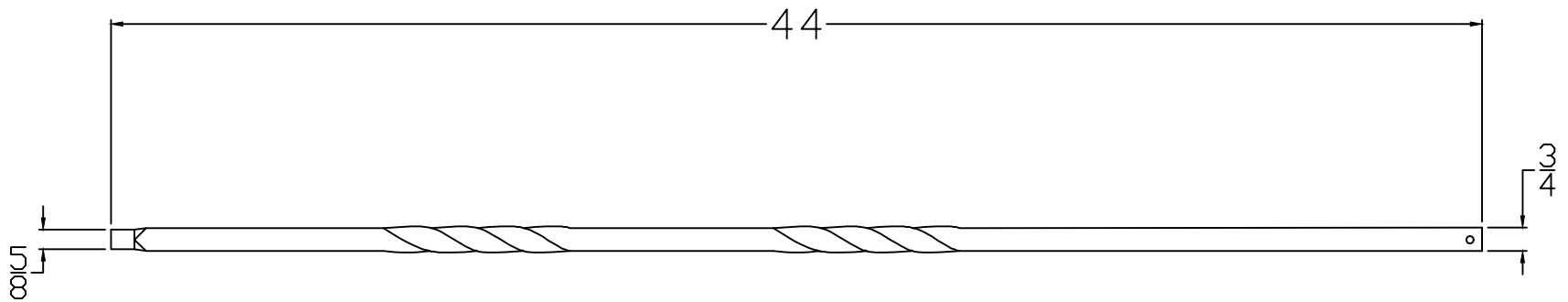


# FIH5512-LG-44



|                       |  |                  |          |      |
|-----------------------|--|------------------|----------|------|
| TITLE: IRON SERIES    |  |                  | Revision | Date |
| Part #: FIH5512-LG-44 |  |                  |          |      |
| 7-10-19               |  | Drawn By: S.WOOD |          |      |
| Type: IRON BALUSTER   |  | Length: 44       |          |      |
| Scale: Inch           |  |                  |          |      |