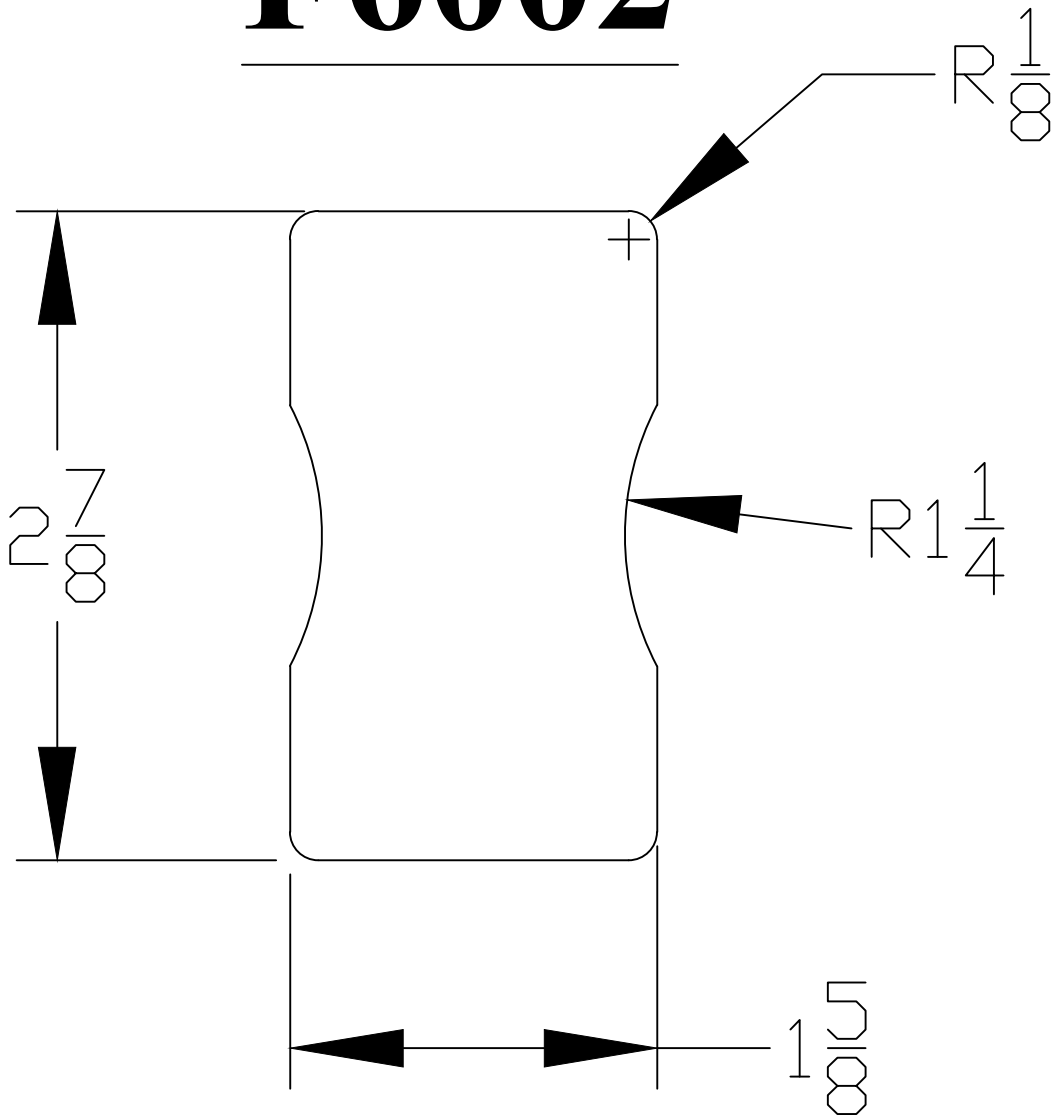


# F6002



Title: F6002		Revision	Date
Part #F6002			
Date: 12-2-19		Drawn By: S.WOOD	
Type: RAIL	Length:	Scale: Inch	

*Fitts*  
FITTS INDUSTRIES, INC.