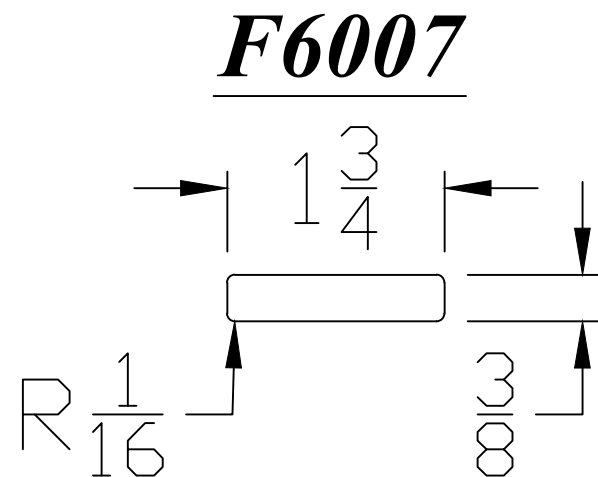
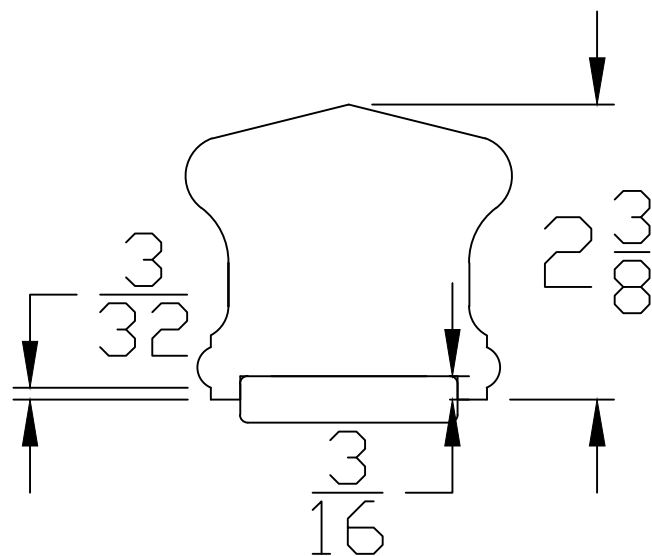
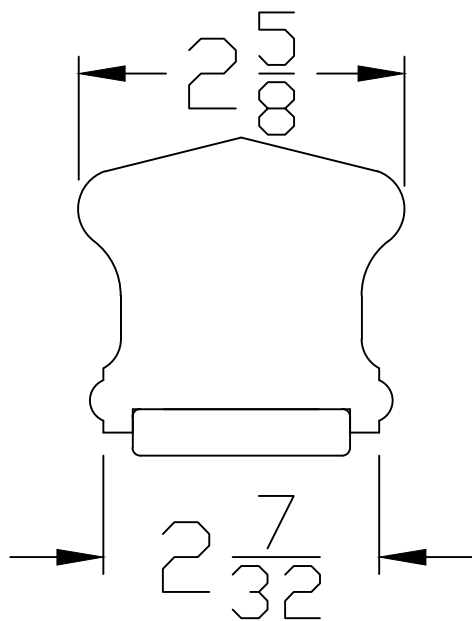


# F6710-P1



Title: F6710-P1		Revision	Date
Part #: 6710-P1			
Date: 5-5-20	Drawn By: S.WOOD		
Type: RAIL	Length:		Scale: Inch