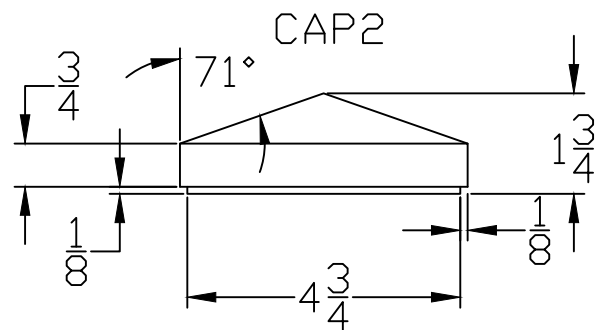
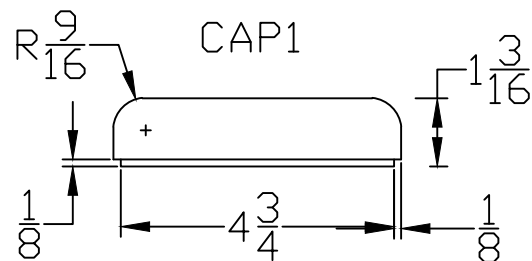
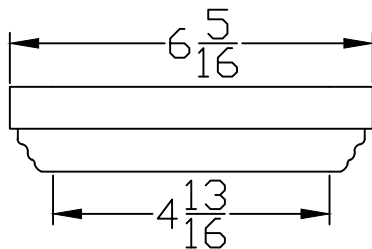
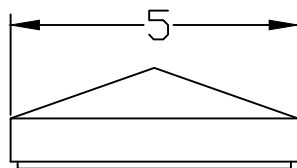
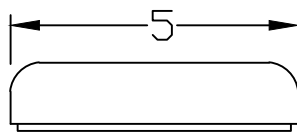
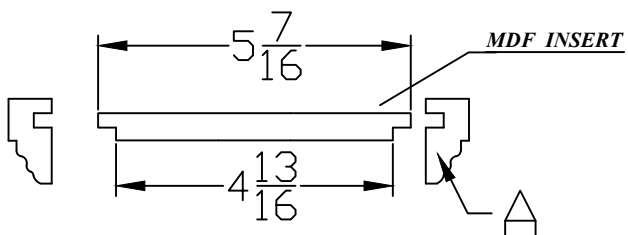
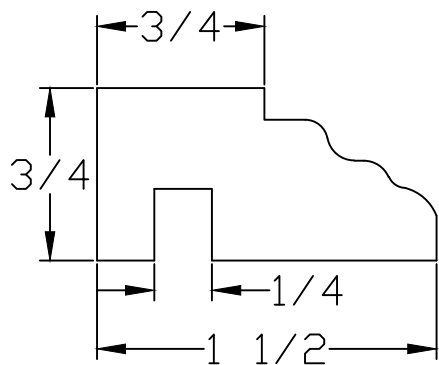


F475-KIT

MOULDING A



Title: F4091 cap		Revision	Date
Part #F475-KIT			
5-16-19	Drawn By: wood		
Type: cap	Length:		Scale: Inch