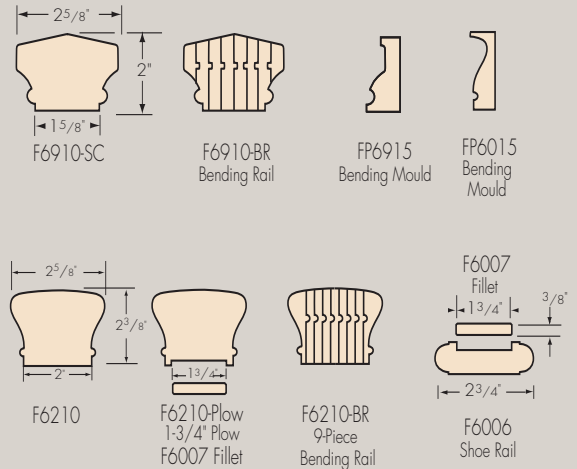
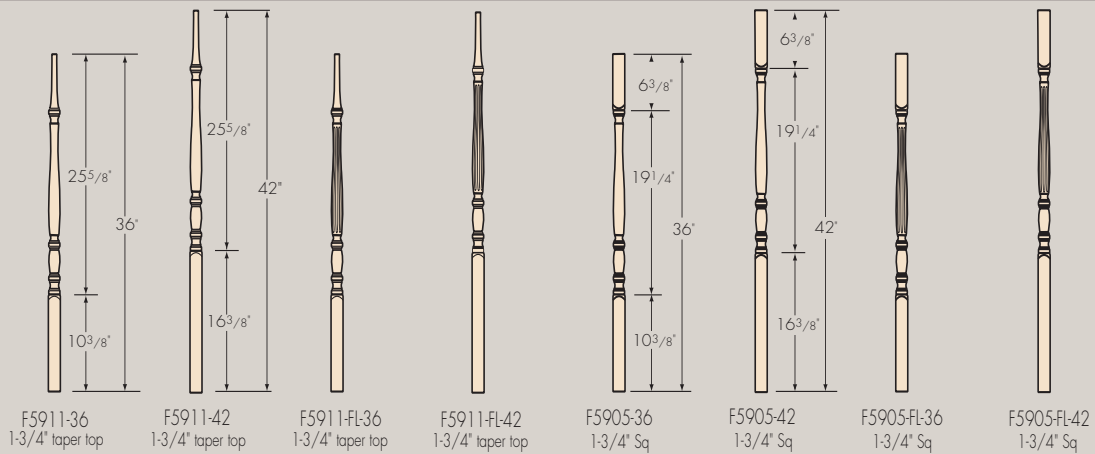


HANDRAILS



BALUSTERS



Post-to-Post



NEWELS

