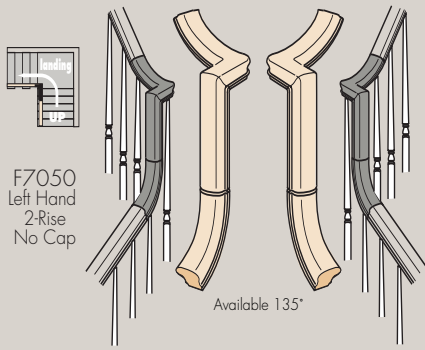


# HARDWOOD GOOSENECK FITTINGS

\*Note: For increased stability, the use of a newel under all Gooseneck Fittings is strongly recommended.

\*On 2-rise Goosenecks bottom Up-Easing is unattached for adjustment in the field.



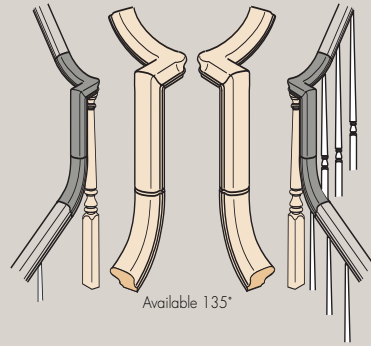
F7050  
Left Hand  
2-Rise  
No Cap

Available 135°



F7055  
Right Hand  
2-Rise  
No Cap

Newel



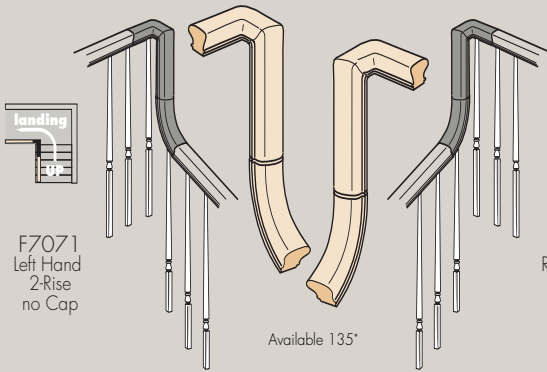
F7060  
Left Hand  
2-Rise  
with Cap

Available 135°



Newel

F7065  
Right Hand  
2-Rise  
with Cap



F7071  
Left Hand  
2-Rise  
no Cap

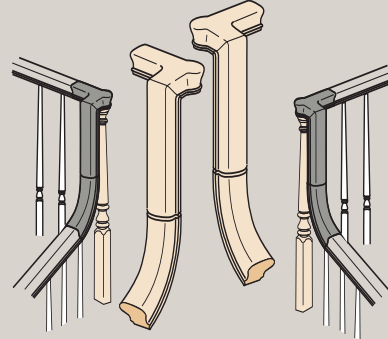
Available 135°



F7076  
Right Hand  
2-Rise  
no Cap

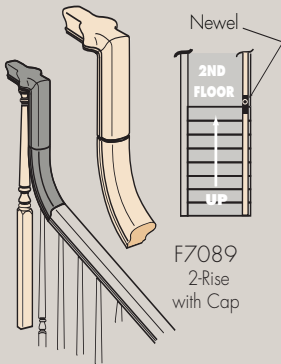


F7081  
Left Hand  
2-Rise  
with Cap

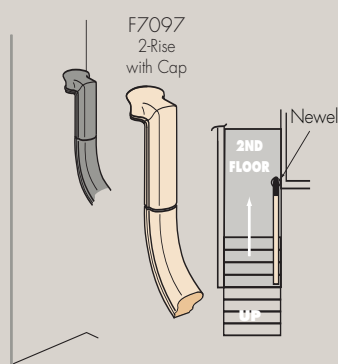


F7086  
Right Hand  
2-Rise  
with Cap

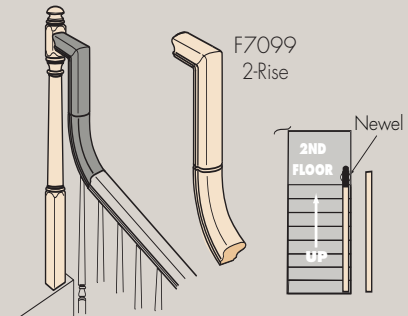
Available 135°



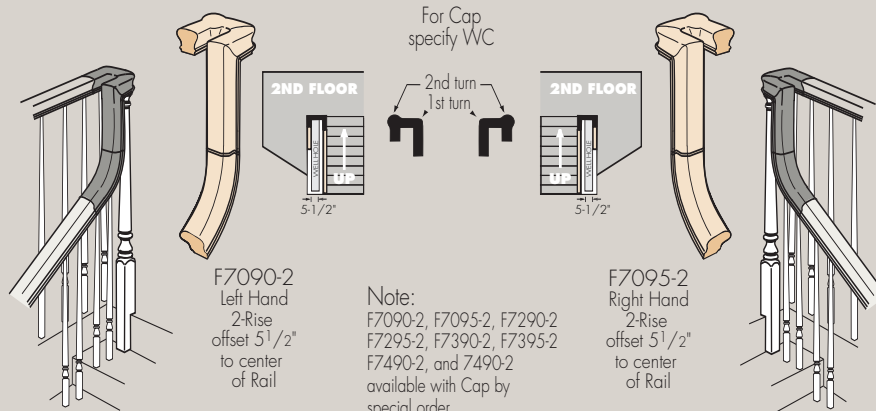
F7089  
2-Rise  
with Cap



F7097  
2-Rise  
with Cap



F7099  
2-Rise



F7090-2  
Left Hand  
2-Rise  
offset 5 1/2"  
to center  
of Rail

Note:  
F7090-2, F7095-2, F7290-2  
F7295-2, F7390-2, F7395-2  
F7490-2, and 7490-2  
available with Cap by  
special order

F7095-2  
Right Hand  
2-Rise  
offset 5 1/2"  
to center  
of Rail

\*All 14' and 16' solid cap (SC) rails have (1) joint in top ply.