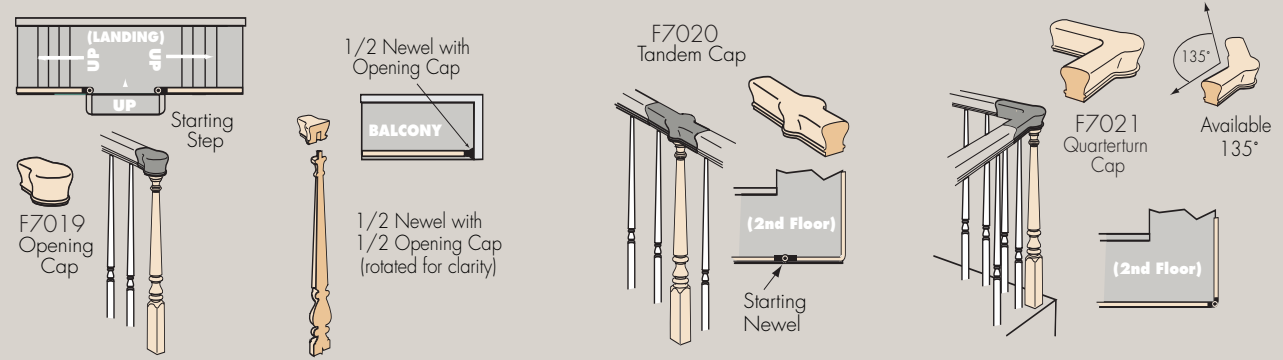
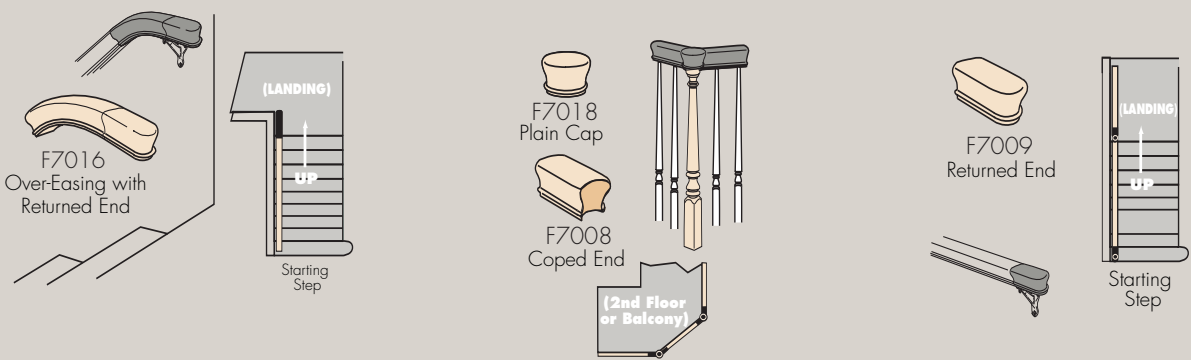
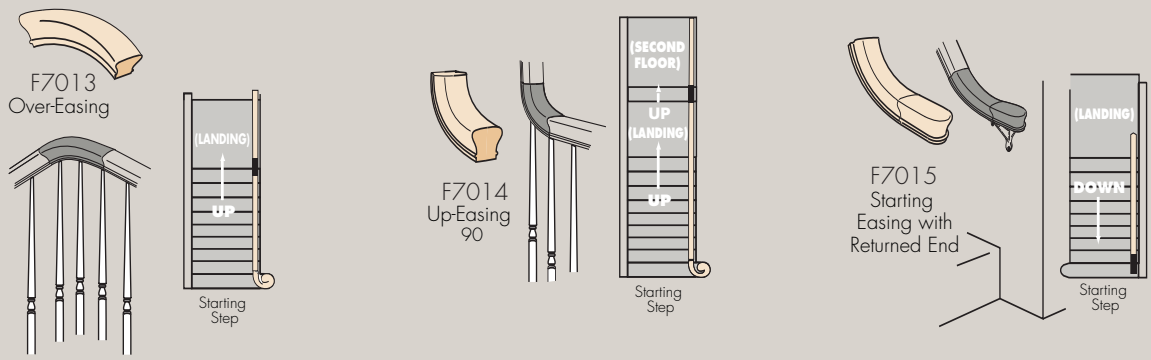
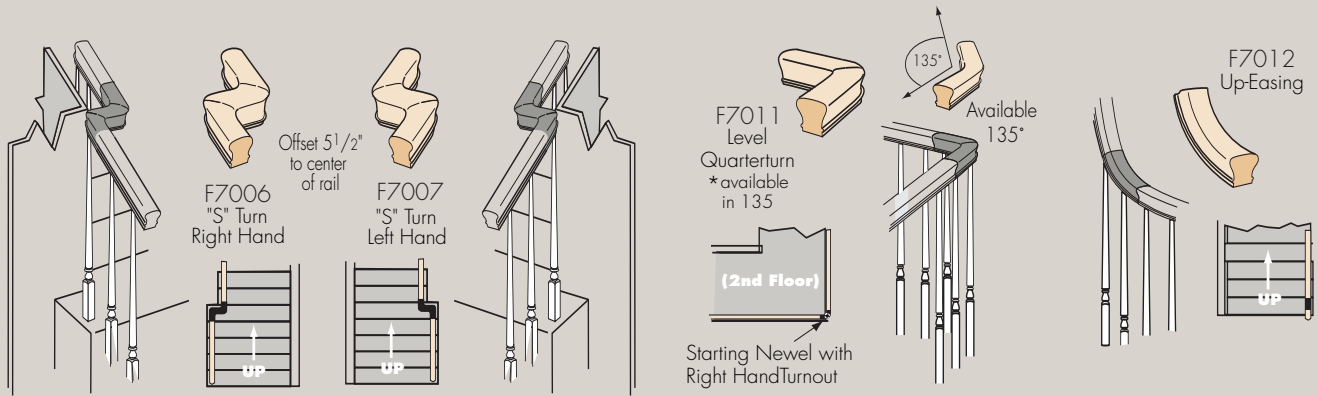


# HARDWOOD TRANSITIONAL FITTINGS



\*All 14' and 16' solid cap (SC) rails have (1) joint in top ply.